

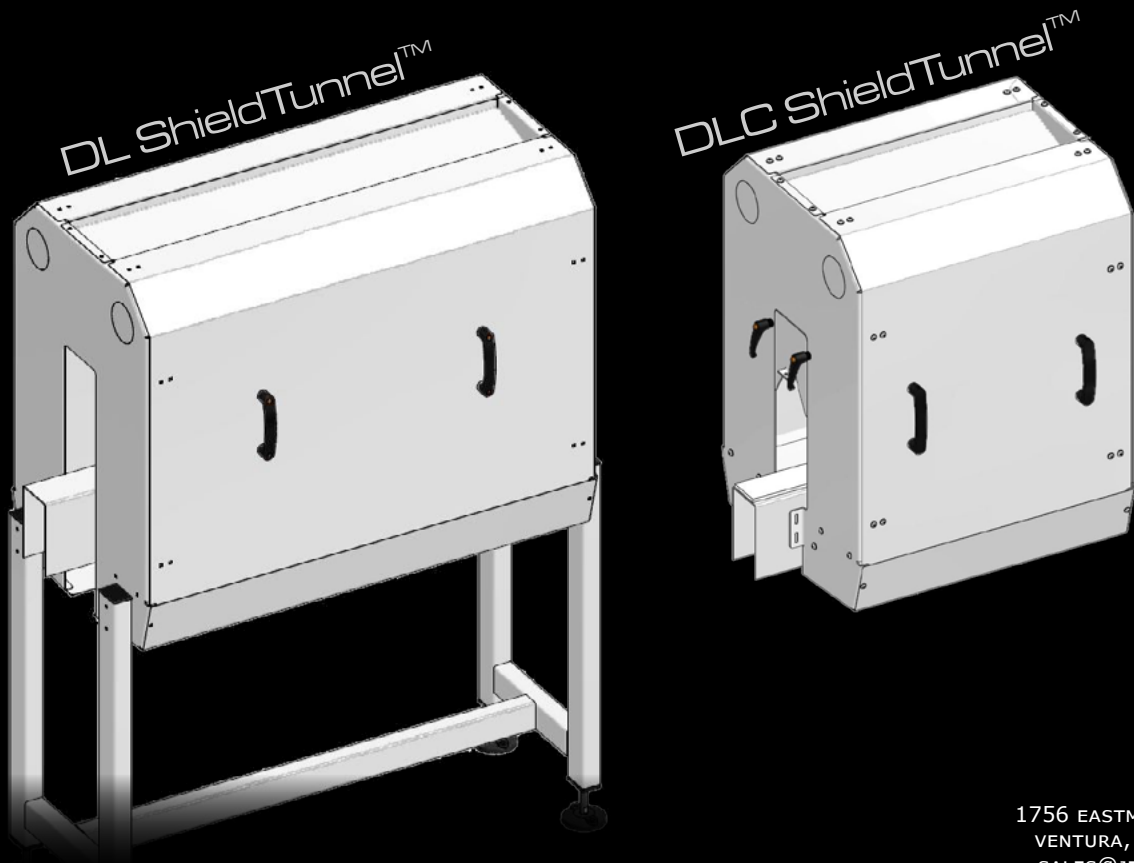
SHIELDTUNNEL[™]

OVERSPRAY COLLECTION SYSTEM

ShieldTunnels[™] capture and drain water protect your drying processes and your manufacturing facility.

JetAir's ShieldTunnels[™] provide leading drying performance while capturing overspray from removed water. These washdown stainless steel enclosures come pre-installed with air knife mounting hardware, enabling simple integration into any line. These enclosures offer sound attenuation and safely drain water below the conveyor. They are available in a variety of lengths with custom-sized mounting hardware to fit the needs of the specific application. ShieldTunnels[™] are ideal for low to moderate speed packaging lines.

MEET THE FAMILY



Features

Dimensions

SHIELDTUNNEL HIGHLIGHTS

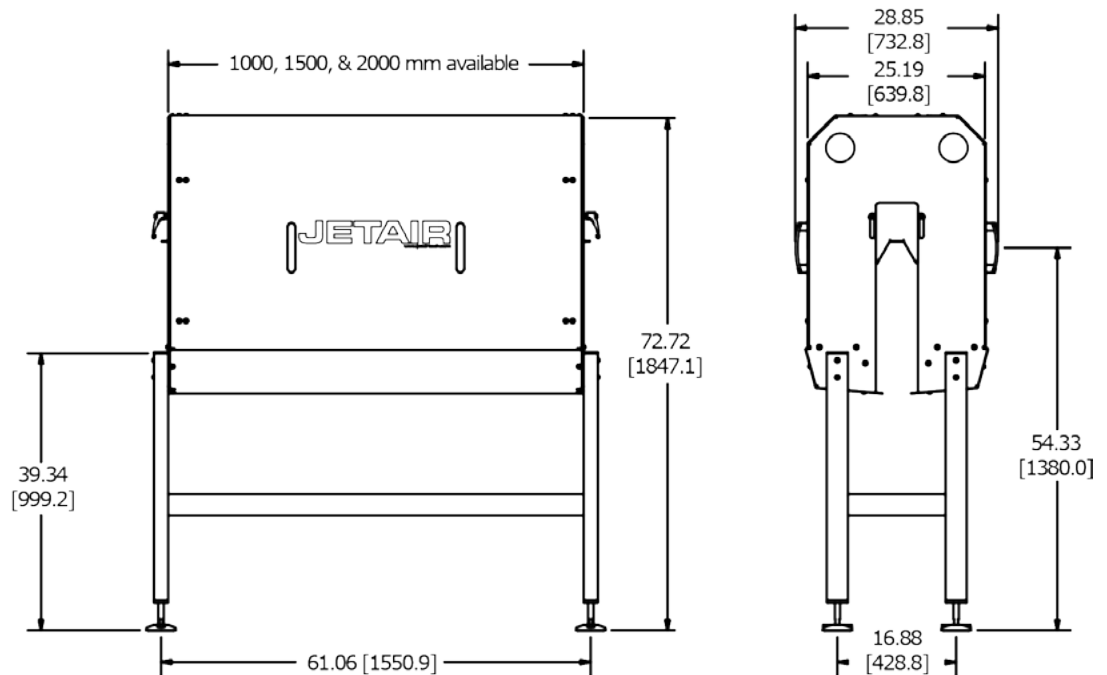
- Self-supported application-specific air components
- Overspray collection
 - Drains water underneath conveyor
- Air noise reduction
- Lift-off side panels
- JetSet™ mounts for fast and repeatable changeovers
- Different sizes available to meet line requirements
 - DL: 1000, 1500, & 2000 mm
 - DLC: 750 & 1250 mm
- Easy installation
 - DL: Self-supported via welded frame
 - Can be bolted to floor
 - DLC: Bolts onto conveyor

MAINTENANCE

- Washdown stainless steel 304 construction
- Sloped roof
- Minimal spare parts

inches[mm]

DL



DLC

