

POWDERJET™

POWDER REMOVAL & COLLECTION SYSTEM

The PowderJet™ is a comprehensive system that blasts powder from container exteriors and captures it via an integrated vacuum system.

The PowderJet™ cleans container exteriors prior to labeling, inspection, coding, sleeving, secondary packaging, and more. It is powered by JetAir high-speed centrifugal blowers, which deliver clean, ionized, filtered air to remove excess powder. The PowderJet™ is custom designed to handle the widest range of containers and line speeds. It easily integrates into existing packaging lines and is compatible with all plant control networks. Standard and custom systems are available.



PowderJet[™] Features

SYSTEM HIGHLIGHTS

- High-speed, energy efficient DirectDrive[™] blower housed in integrated wash-down enclosure
 - Blower is optimized for higher energy efficiency & reduced footprint
 - Blower is belt- and tensioner-free
- Integrated vacuum system to collect & remove powder (Ø4" inlet port)
- Customized to line speed and container sizes & geometries
- Clean, ionized air stream directed by application-specific air components
- Coalescing inlet air filter (HEPA available)
- JetSet[™] mounts for fast and repeatable changeovers
- Custom guide rails included

CONTROLS

- Allen-Bradley Variable Frequency Drive standard (all VFD brands available)
- LOTO line power fused disconnect
- Operator-friendly interface
- Ionizer & blower indicators
- UL508, cUL, CE standards
 - CAT 3-4/PLd-e available
- OMAC PackML compliant
- Electrical Panel NEMA4/IP66

MAINTENANCE

- Washdown Stainless Steel 304
- Double-walled construction for low noise
 - Sound attenuation
- Removable, sloped collection pan for easy installation, powder capture, & fast cleaning
- Lift-off panel for easy maintenance
- Heavy-duty door with large vision window for conveyor & air component access
- Stainless steel threaded levelers for 5" vertical adjustment
- Integrated lifting eyes for easy installation
- Minimal spare parts

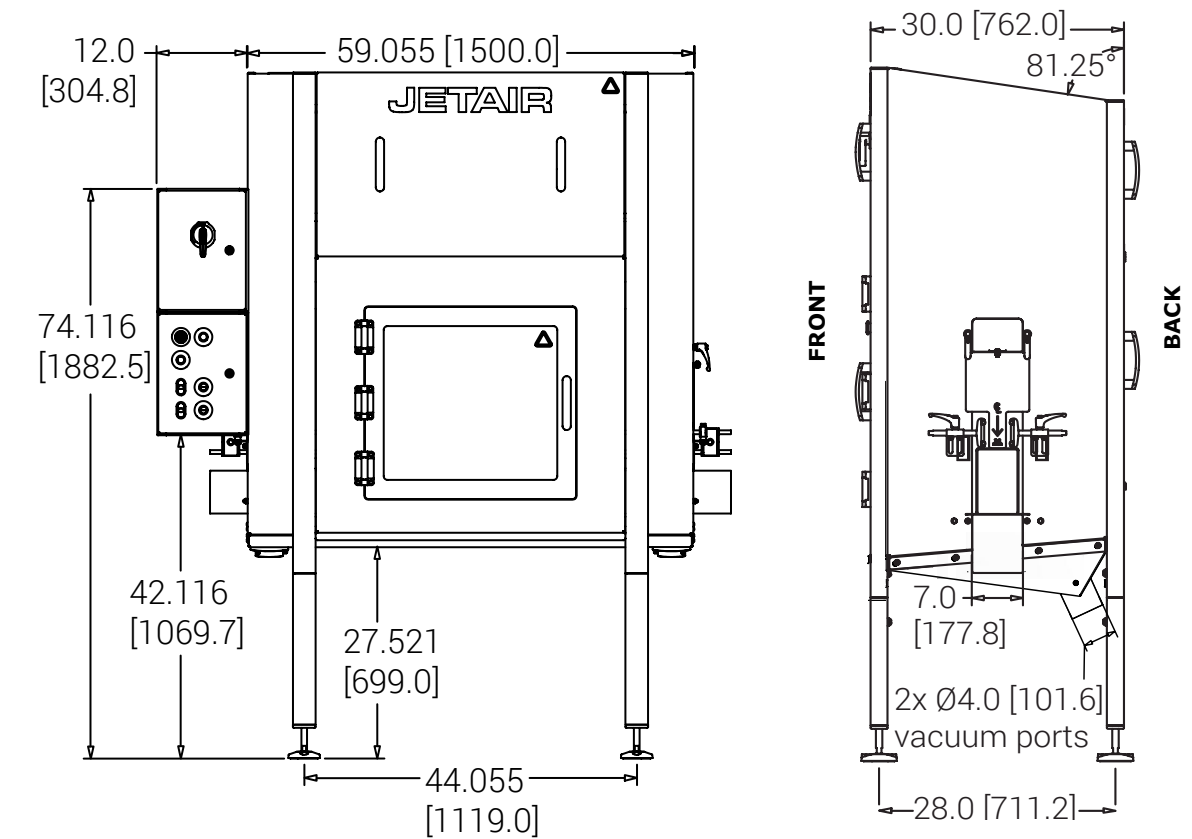


Optional Features

- Network integration
 - Ethernet, Profibus, DeviceNet
- Clean In Place (CIP)
- Emergency glass shard protection
- Integrated transport conveyor
- Door interlocks
- Container hold-down
- Product detection sensor
- HEPA blower outlet filter assembly
- JetSet[™] automatic multi-point adjustment changeover

PowderJet[™] Dimensions

inches[mm]



Vacuum System

