

JetTunnels[™] are comprehensive drying systems for the consumer packaged goods market. They produce superior dryness prior to labeling, inspection, coding, sleeving, secondary packaging, and more. JetTunnels[™] are powered by JetAir High-Speed Centrifugal Blowers, which deliver clean, oil-free, filtered air, removing damaging moisture and debris. JetTunnels[™] are custom designed to handle the widest range of containers and line speeds up to 2400 cpm. They easily integrate into existing packaging lines and plant control networks. Standard and custom systems are available.

JetTunnel

[™]

PERFORMANCE

- Integrated Wash-Down Blower Chamber for Higher kW Efficiency, Reduced Footprint & Access.
- Optimized for Line Speed, Container Size & Shape and Environment.
- High Speed, Energy Efficient Direct Drive Blowers: 5-120HP [3.5-90KW].
- Innovative, Concentrated Drying & Spray Isolation improve drying and reduce line lengths 25%.
- Vented No-Drip Drying Chamber ceiling eliminates rewetting.
- JetSet[™] Mounts & Rails for Fast & Repeatable Changeovers, Optimized Blow-Off & Jam-Free Handling.
- ULPA, HEPA, 2-10 μ & Coalescing Oil-Free Air Filtration Performance.
- 80 dBA Noise Solutions

CONTROLS

- Factory Certified Network and Frequency Converter Integration.
- Category 3/PLd Safety Compliance & UL508, CSA/cUL, CE Standards
- Filter Change, Blower Maintenance, Air Component and Consumption Indicators.
- OMAC PackML Compliant

MAINTENANCE

- 100% Access
- Minimal Spare Parts
- Clean Design Construction
- Forward-Sloped Drain Pan speeds Cleaning & Debris/Glass Removal.
- Integrated Lifting Eyes for easy Line Placement.



Performance Specifications

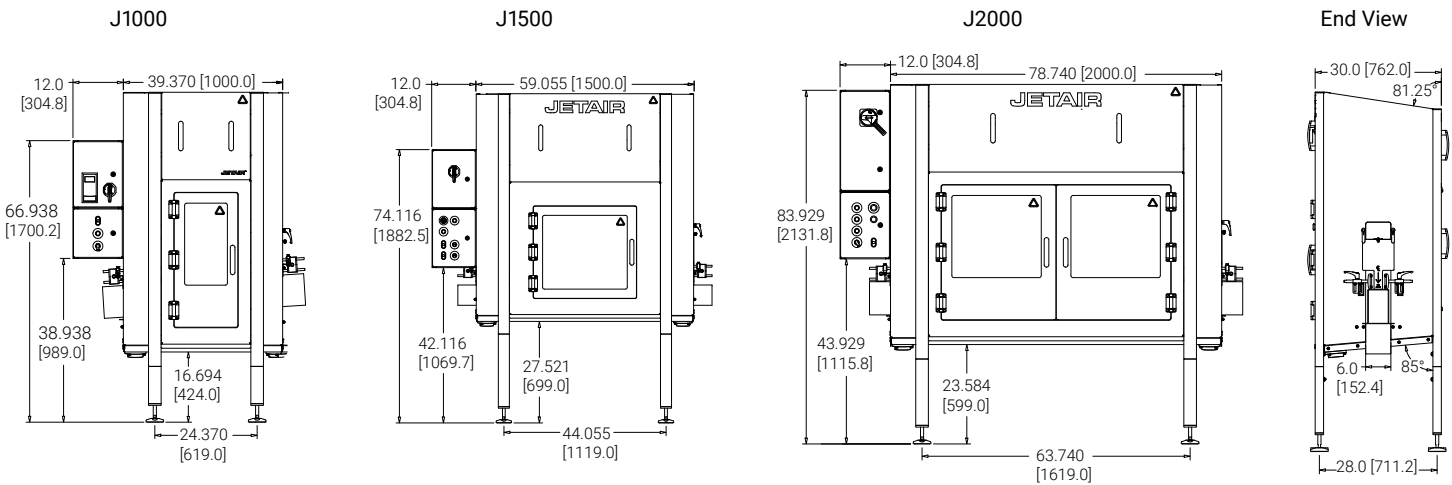
LINE SPEED (CPH)	CONTAINER SIZE (LITER)		
	0.5	1.5	3.0
5,000	J1000	J1000	J1000
10,000	J1000	J1500	J1500
25,000	J1000	J2000	J2000
30,000	J1000	J2000	J2000
35,000	J1500	J2000	J3000
40,000	J1500	J3000	J3000
45,000	J2000	J3000	J3000
55,000	J2000	J3000	J4000
60,000	J2000	J4000	
65,000	J3000	J4000	
70,000	J3000		
80,000	J4000		

Upgrade For :
Complex Shape
PS Labeling
Clear PSL
Cold (< Dew Pt.)
Humidity (< Dew Pt.)

ENGINEERED-TO-ORDER:

- Inspection, Coding, Steam Tunnel, Labeling, Sleeving Integrations.
- Heated/Cooled Air Solutions
- Corrosive Material Handling
- OEM plc "Tab" Development
- Clean-Wetness Sensing & Control
- Sanitary & Clean Room Solutions
- Customized Solutions
- Turbine Development

Dimensions & Part Numbers



J3000 Dimensions: J1500 with 2x Length || J4000 Dimensions: J2000 with 2x Length

Technical Specifications

Construction:

Washdown Stainless Steel 304
 [SS316 & CPVC Solutions Available]
 Electrical Panel NEMA4/IP66
 100% Access from Front or Backside
 Integrated Lifting Eyes (4)
 Overspray Drainage & Capture 2" FPT
 Clean Design

Voltage:

190-240VAC, 380-480VAC, 600VAC
 50/60Hz, 3 Phase

Power:

2HP[1.5kW]-120HP[90kW]

Air Source:

JetAir High-Efficiency DirectDrive Blower:
 Belt-Free, No Pinch Point, No Tensioner
 Ø4" [100] Outlet

Configurations:

1-4 M Lengths, 750-1250mm Widths
 TOC 20" [500]-48" [1220]
 Corner Solution & TOC >48" [1220]
 Available

Safety Features:

UL508, cUL, CE Standards
 CAT 3-4/PLd-e Available
 Sound Attenuation

Sound:

78-85dB

STANDARD OPTIONS:

Table-Top & Side-Grip Conveyors
 Container Dynamic Hold-Downs
 Container Twist Integration
 Liquid Rinse & Recycle Integration
 Auto Chamber Cleaning (CIP-R)
 Dehumidification
 Ion De-Static
 Vacuum Integration